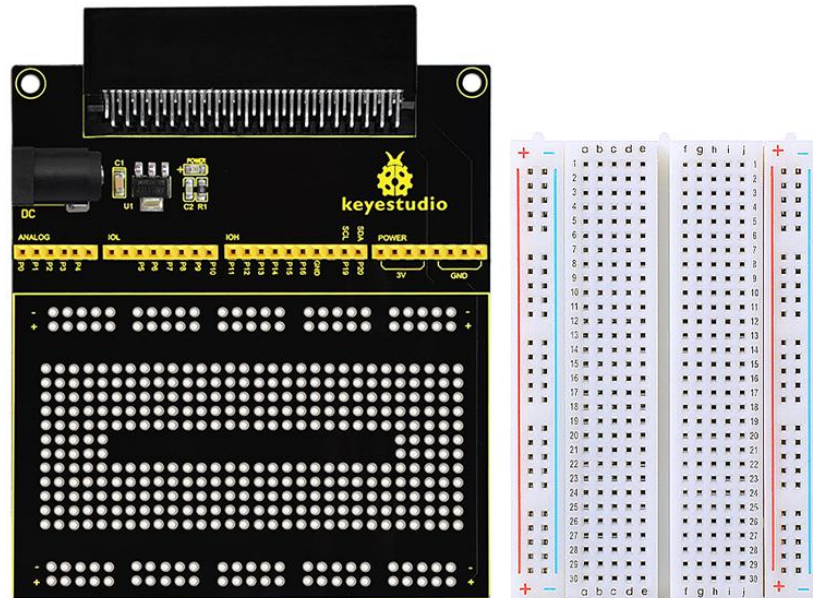


keystudio

Keystudio Prototype Breakout Board V2 for micro:bit

With 400-point Breadboard



Description:

Keystudio prototype breakout board V2 is specially designed for Micro bit motherboard. It breaks out all the pins of micro bit in the form of female headers, very convenient for the circuit building. The breakout board has a number of circular weld holes and contains a 400-point breadboard.

You can not only build the test circuit on the 400-point breadboard, easy to modify, but also can weld the test circuit directly on the small universal panel of breakout board.

What's more, a power module is integrated on the breakout board, which can directly power for the micro bit board and increase the load capability of breakout board.

The whole design is very easy to use, a good choice for you to add circuit prototype.

Features:

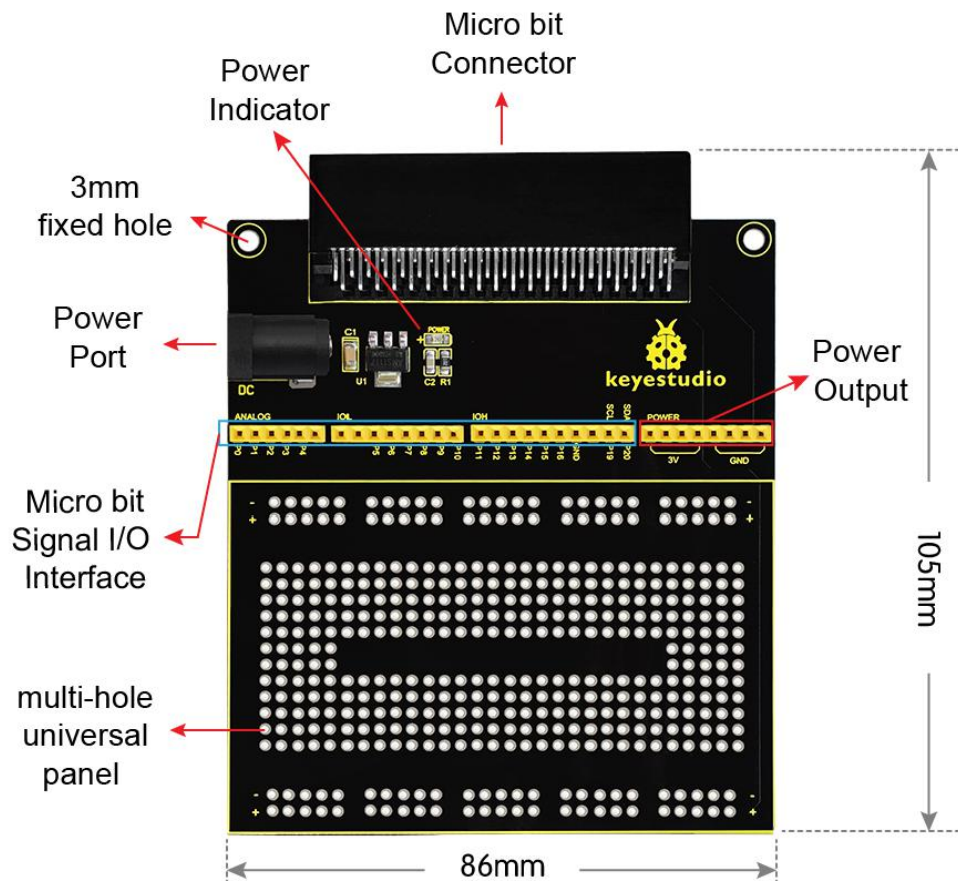
- 1) Micro bit compatible, plug and play;
- 2) Accurate label and simple structure;
- 3) Break out the female headers on the board, easy for wiring;
- 4) Able to build your test circuit on the welding hole panel;
- 5) Integrated a power module on the board, convenient for powering micro bit;
- 6) With delicate breadboard 400-point, removable and easy to stick.

keystudio

Parameters:

Power Input: 5~9V

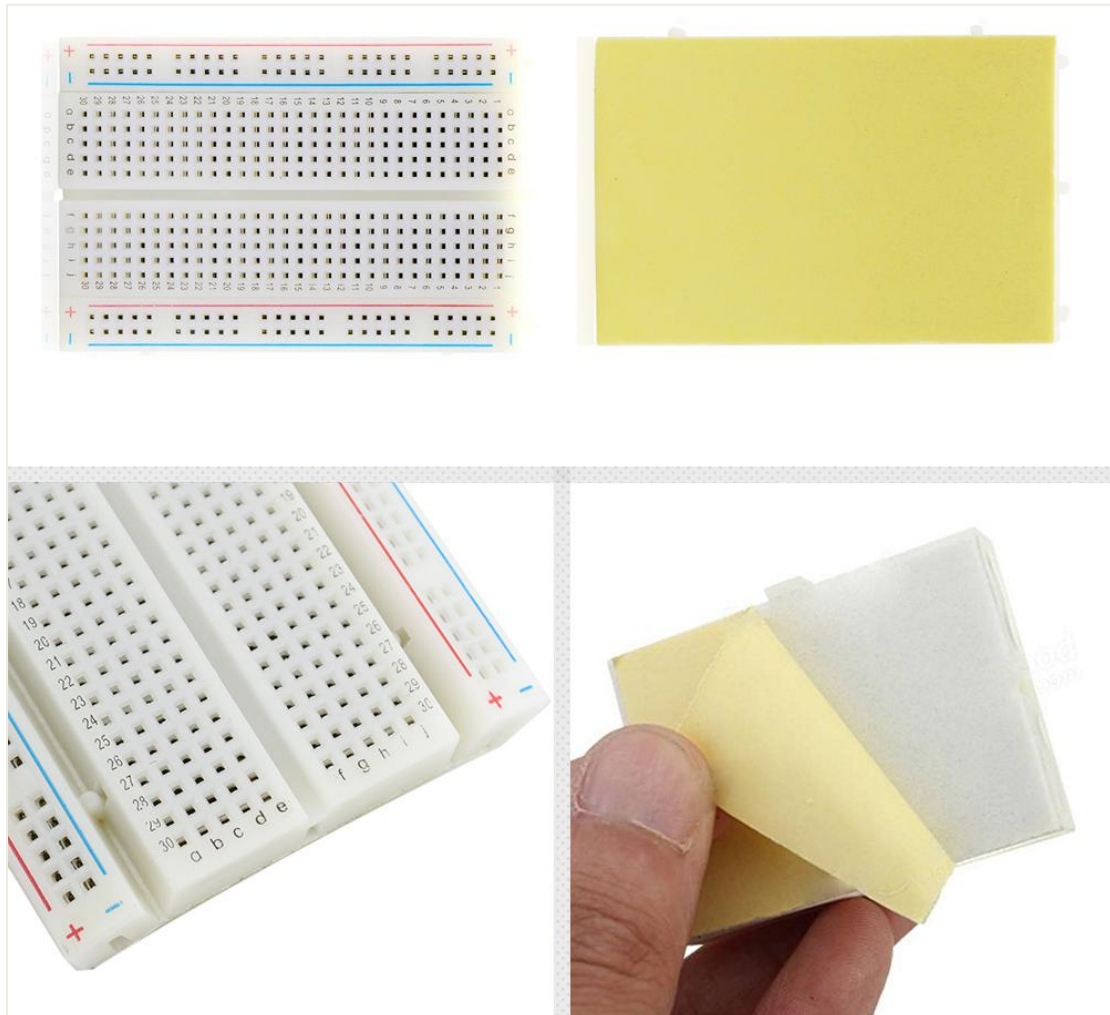
Layout:



keystudio

400-point Solderless Breadboard:

This is a 400 tie-point white solderless breadboard. This breadboard has a self-adhesive on the back. It has 2 power buses, 10 columns, and 30 rows - a total of 400 tie in points.



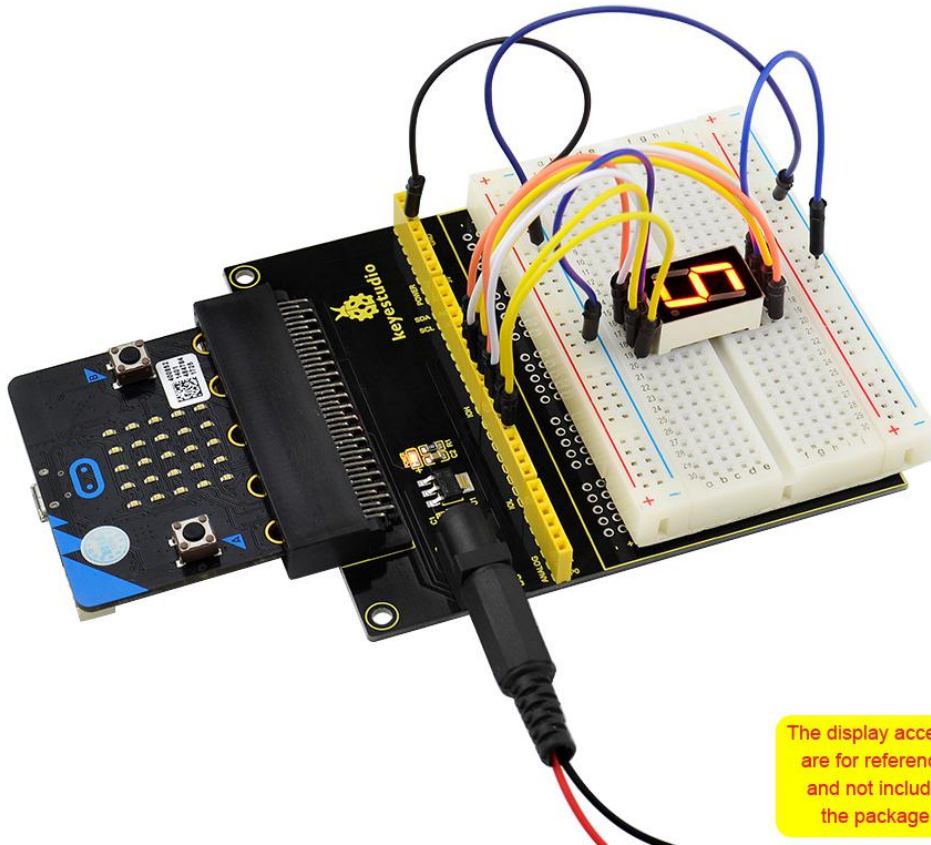
keystudio

Example Picture:

Example

micro bit Controlling 1-digit LED Display

You can use a 1-digit LED display to show the number from 0 to 9.



The display accessories are for reference only and not included in the package list.